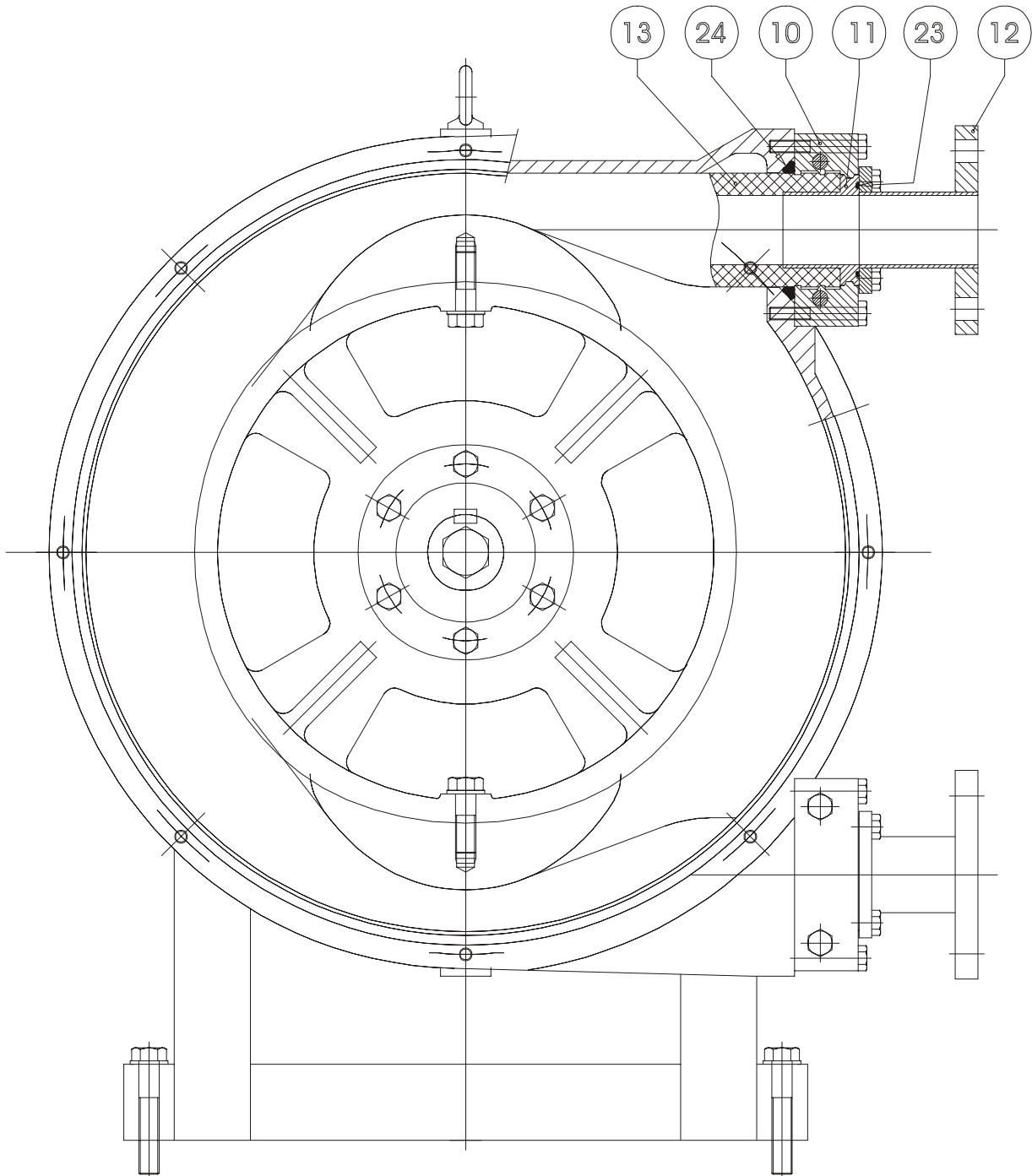


RBT-60

(1/2)



RBT-60

(2/2)

RBT-60				
Nº	DESCRIPTION	Nº	CODE	MATERIAL
1	Pump casing	1	110.00.01	Cast Iron
2	Shim		111.00.02	Stainless
3	Bearing housing	1	111.00.03	Carbon Steel
4	Rotor shaft	1	111.00.04	Carbon Steel
5	Rotor	1	111.00.05	Carbon Steel
6	Pressing shoe	2	111.00.06	Aluminum
7	Front cover	1	111.00.07	Carbon Steel
8	cap M24	1	111.00.08	
9	Stud	4	111.00.09	
10	Press flange	2	111.00.10	Anodized Steel
11	Insert (stainless)	2	111.00.11	316SS
	Insert (polypropylene)	2	111.00.35	Polypropylene
	Insert (PVDF)	2	111.00.36	PVDF
12	Connection flange ANSI	2	111.00.32	316SS
13	Natural Rubber Hose	1	111.00.18	
	Natural Rubber Hose (Food Grade)	1	111.00.19	
	Buna N Hose	1	111.00.20	
	Buna N Hose (Food Grade)	1	111.00.21	
	EPDM Hose	1	111.00.22	
14	Base - Left	1	111.00.14	Carbon Steel
15	Base - Right	1	111.00.15	Carbon Steel
16	Base Support – Middle (100mm)	1	111.00.16	Carbon Steel
17	Base Support – Middle (60mm)	1	111.00.17	Carbon Steel
18	Driver	1		
19	Front bearing	2	111.00.28	
20	Rear bearing	1	111.00.29	
21	Elastic o-ring for shaft	1	111.00.30	
22	Lip seal	1	111.00.31	
23	O-ring connection	2	111.00.23	
24	O-ring hose	2	111.00.24	
25	O-ring front cover	1	111.00.25	
26	Eye bolt	1	111.00.26	
27	Nut	4	111.00.27	
	HoseLube (5 gal)	1		

Rev 01.04.00