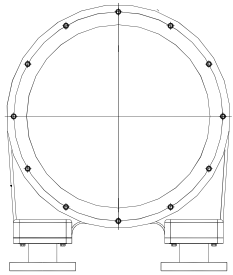
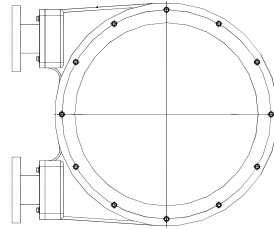


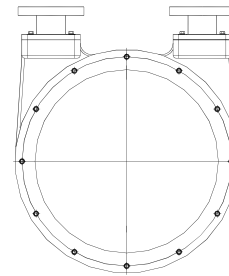
# FMP-70 HOSEPUMP



Pos B

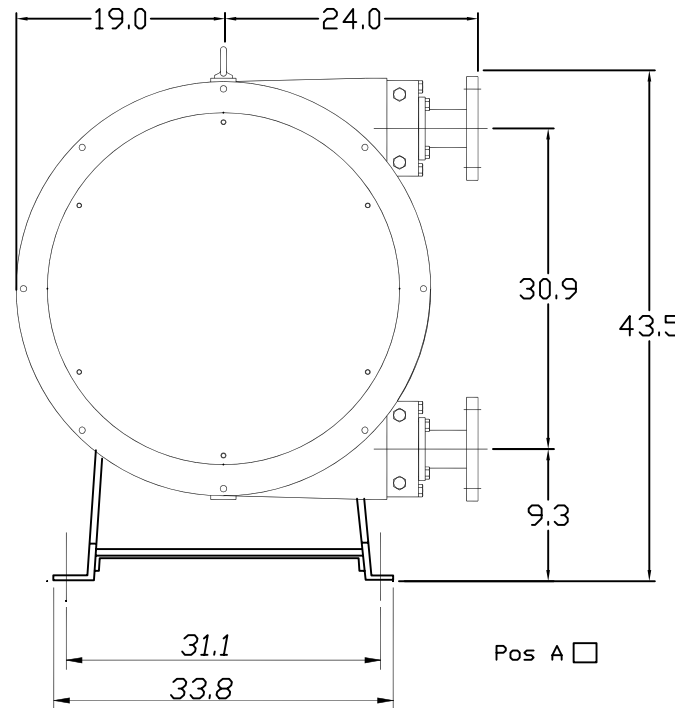
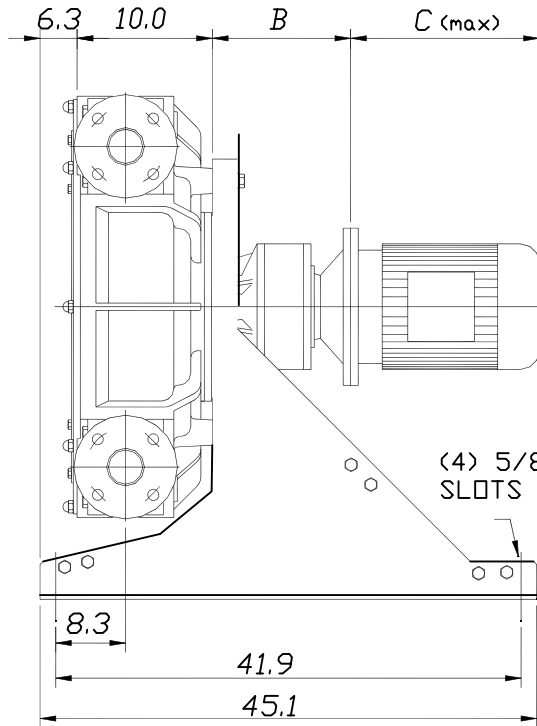


Pos C



Pos D

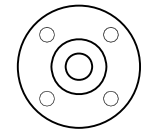
Assy. No.:	
Customer:	
PO #:	Date / /
Model:	
Hose:	
Pressure:	
Ports:	
Speed:	
HP:	
Motor Encl.:	
Specials:	
Accessories:	
Drawn By:	Date / /
Project:	



Approximate Wt. 800 lbs

Cert By: \_\_\_\_\_

Date: \_\_\_\_\_



2-1/2" 150#  
ANSI Flange

✓	Frame	B	C
	182/4 TC	10.4	16.94
	213/5 TC	11.9	16.94

Fabrication Tolerance is +/- .12"

Rev	Date	By
B	1/11/05	CLM

**PERIFLO**

155 Commerce Blvd., Loveland, OH 45140

Dwg No.: FMP 70 Dimensions