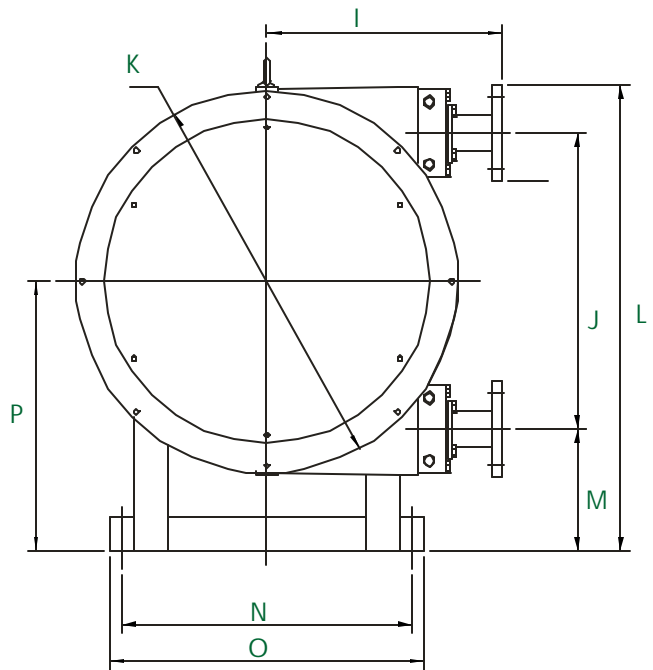
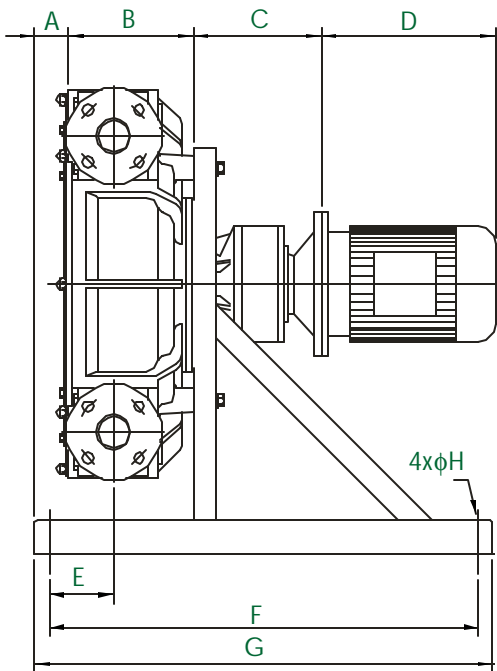


PERIFLO

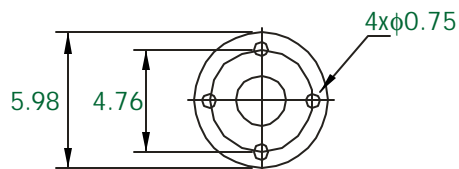
Industrial Peristaltic Pumps

FMP-60 Model

Dimensions (Inches)



2" FLANGE ASA125/150 POUND



A	B	C	D	E	F	G	H	I	J	K	L	M	N	O	P
2.3	8.5	8.7	11.8	4.4	29.1	31.1	.67	15.9	20.1	26.0	31.7	8.3	19.7	21.7	18.3