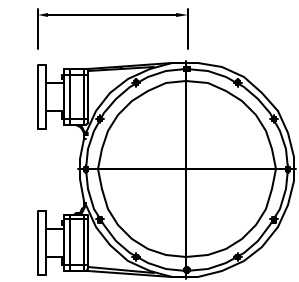
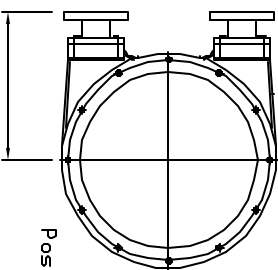


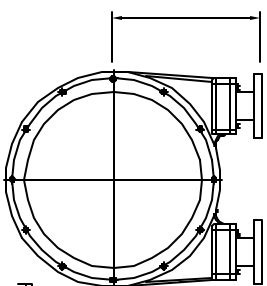
# FMP-50 Hosepump



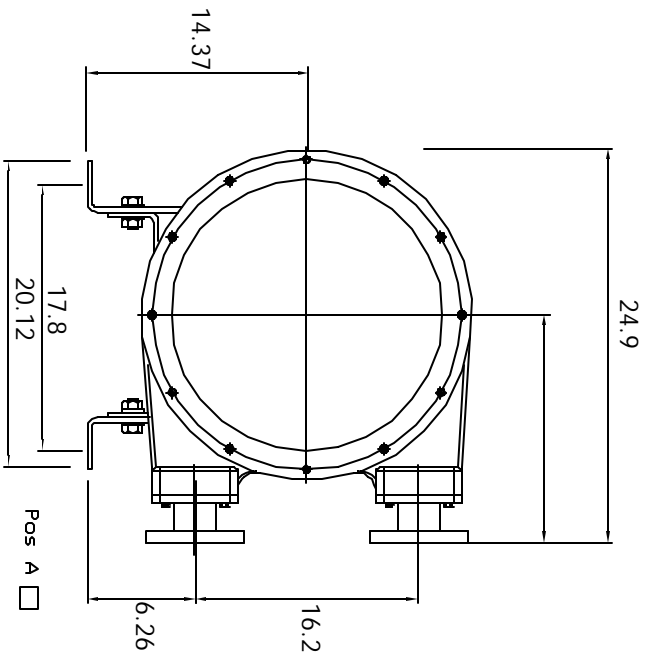
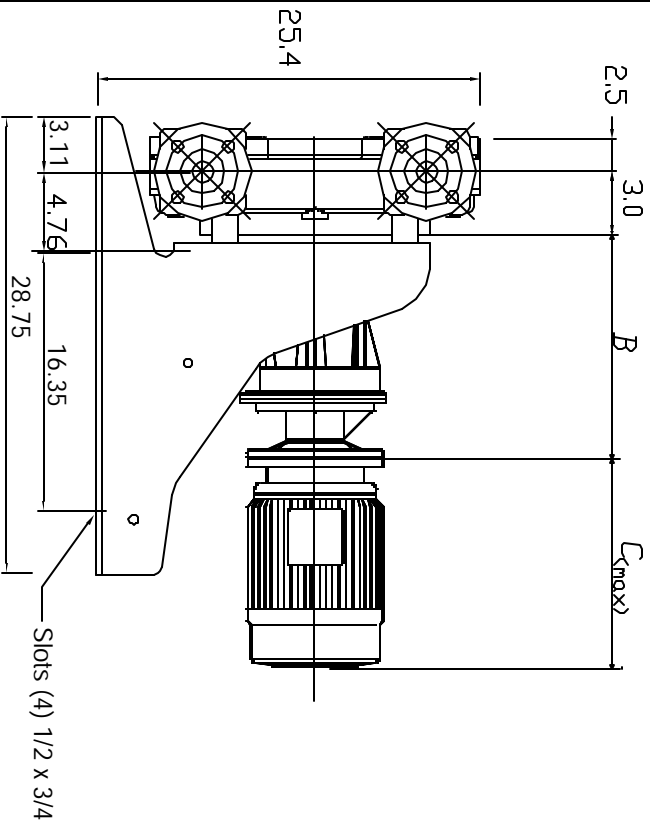
Pos B



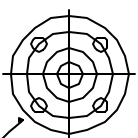
Pos C



Pos D



Pos A



2" 150# ANSI Flg  
(4) 5/8

Cert By: \_\_\_\_\_  
Date: \_\_\_\_\_

Fabrication Tolerance is +/- .12"

**PERIFLO**

155 Commerce Blvd., Loveland, OH 45140

Drawing No.:

R:

Drawn By:

Date: R

✓	Drive	Speed	B	C
	Gear Reducer -180TC Motor	>24 RPM	106	14
	Gear Reducer -180TC Motor	<24 RPM	127	14