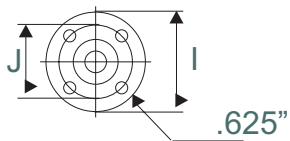
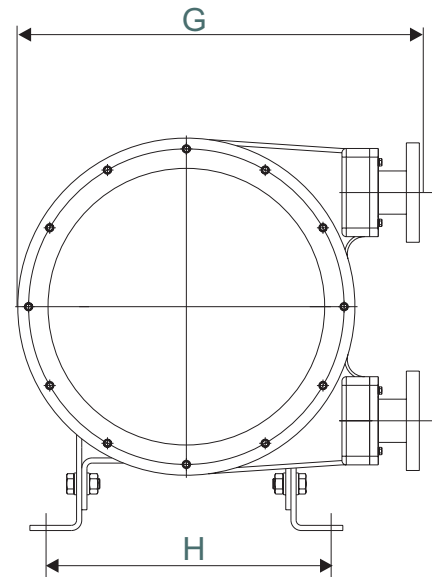
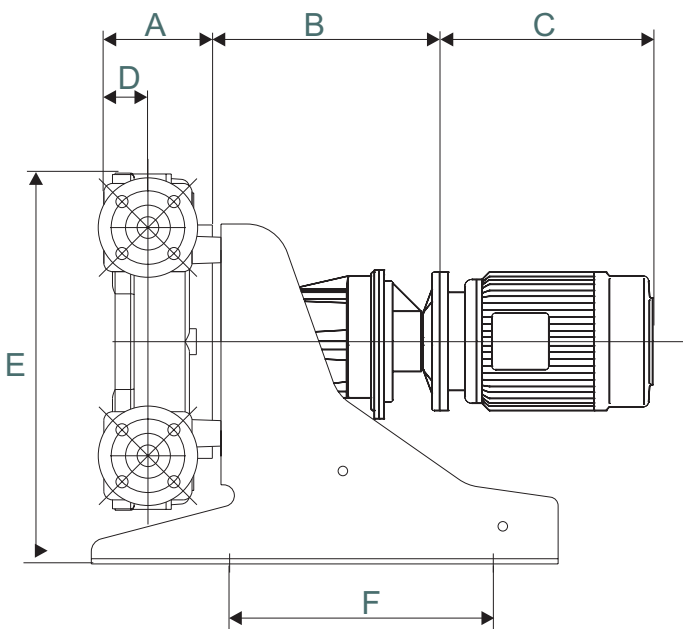


# PERIFLO

## Industrial Peristaltic Pumps

### FMP-30 Model

#### Dimensions



1-1/4" 150# ANSI Flg

A	B	C	D	E	F	G	H	I	J
5.0	*	*	2.0	18.2	12.0	18.5	10.9	4.63	3.5

\* To confirm according to driver type and power