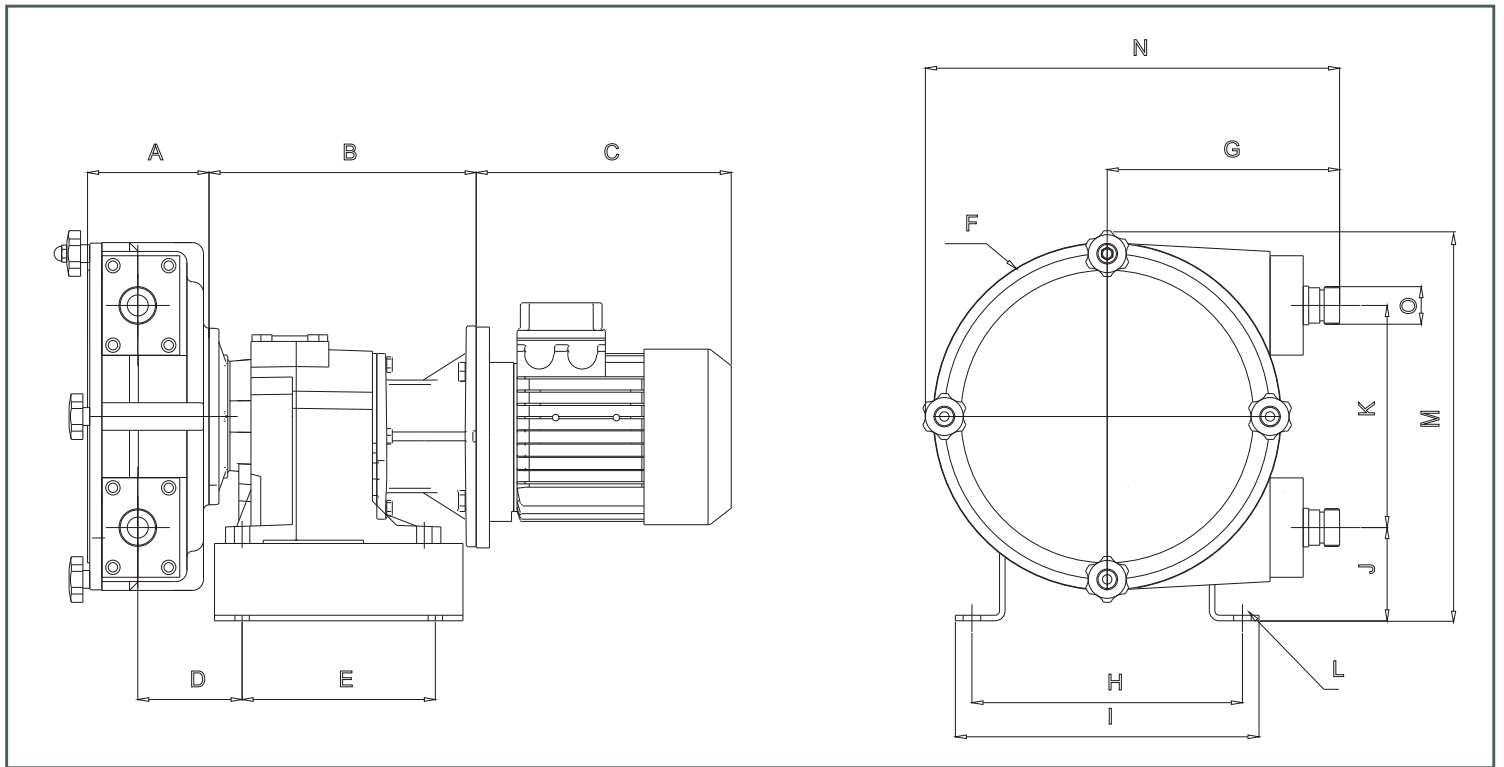


PERIFLO

Industrial Peristaltic Pump

AMP-22 Model

Dimensions (Inches)



A	B*	C*	D	E	F	G	H	I	J	K	L	M	N	O
4.33	9.45	9.06	3.74	68.9	∅ 12.4	8.31	9.65	10.83	3.35	7.91	∅ 0.51	13.97	14.76	1" BSP or NPT

* To confirm according to drive type and power