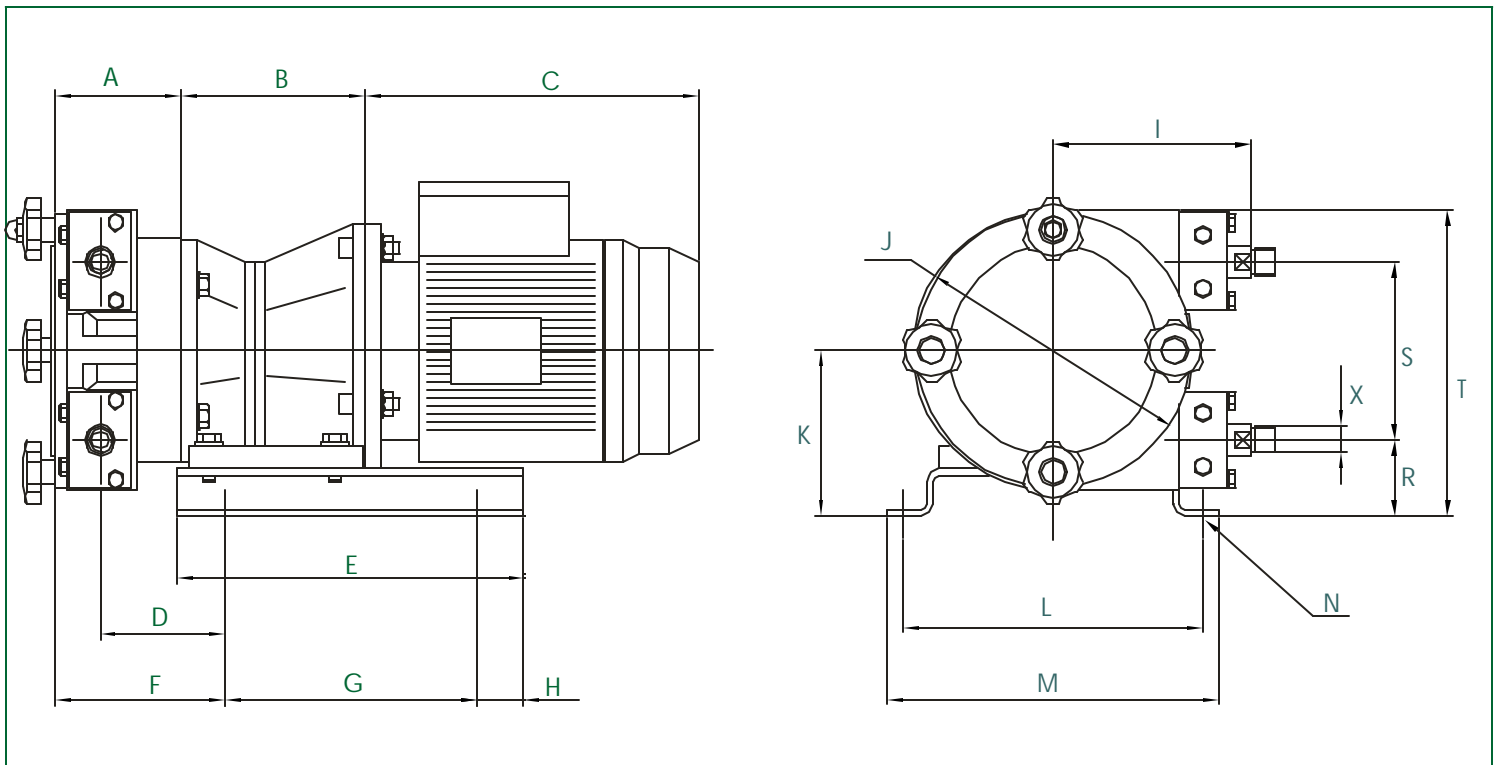


# PERIFLO

## Industrial Peristaltic Pumps

### AMP-13 Model

#### Dimensions ( Inches )



A	B	C	D	E	F	G	H	I	J	K	L	M	N	R	S	T	X
3.15	*	*	2.80	8.66	4.25	6.30	1.18	5.12	6.93	4.61	7.48	8.27	0.35	2.36	4.53	8.27	3/8" NPT

	ApproxWgt
Pumpw/Gear-Reducer&¼HPmotor	44 lbs
Pumpw/Gear-Reducer&1/3HPmotor	46lbs
Pumpw/Gear-Reducer&½HPmotor	51 lbs

\* Toconfirmaccordingtodrivetypeandpower