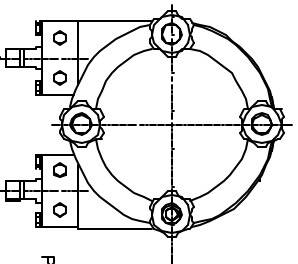
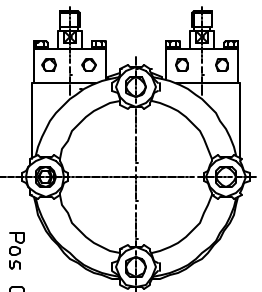


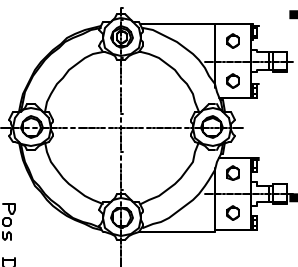
Periflo Amp-10 Hosepump



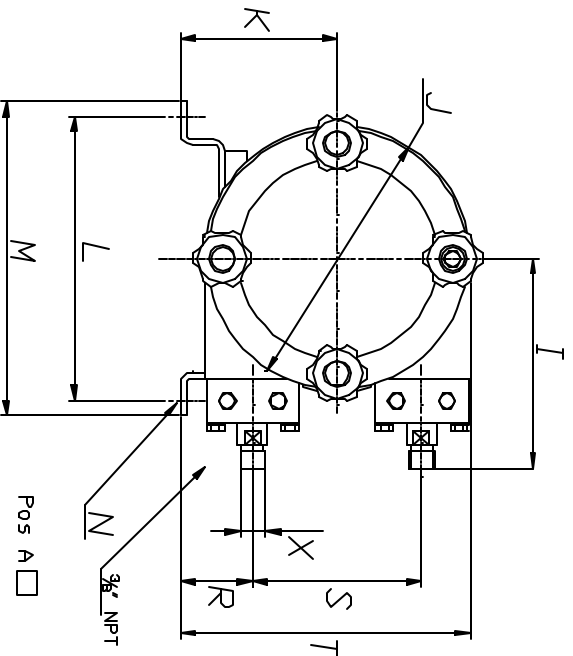
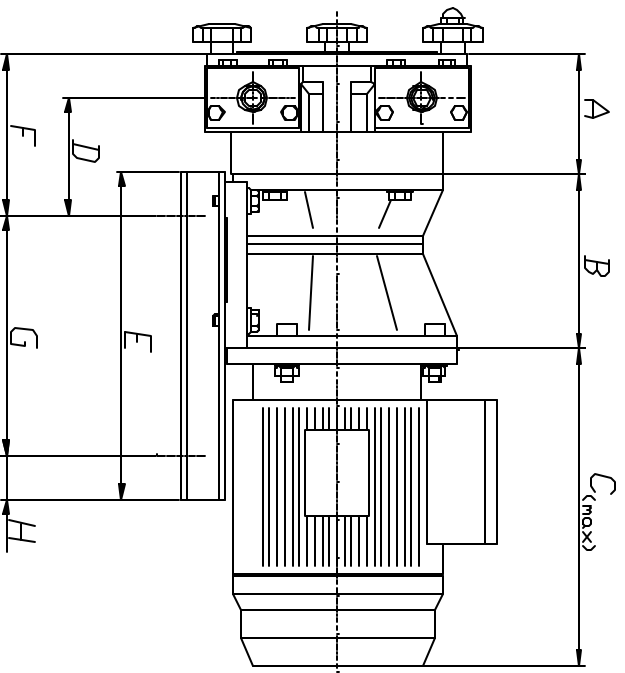
Pos B



Pos C



Pos D



Pos A

$\frac{3}{8}$ " NPT

Drive	Speed	A	B	C	D	E	F	G	H	I	J	K	L	M	N	R	S	T
Integral Gear Motor	>20 RPM	315	461	8.1	280	866	425	630	118	562	693	461	748	827	035	4.0	4.53	827
Integral Gear Motor	<20 RPM	315	669	8.1	280	866	425	630	118	562	693	461	748	827	035	4.0	4.53	827
Gear Reducer - 56C Motor	>20 RPM	315	839	14.3	280	866	425	630	118	562	693	461	748	827	035	4.0	4.53	827
Gear Reducer - 56C Motor	<20 RPM	315	105	14.3	280	866	425	630	118	562	693	461	748	827	035	4.0	4.53	827

Fabrication Tolerance is +/- .12"

PERIFLO

155 Commerce Blvd., Loveland, OH 45140

Drawing No.:

R:

Drawn By:

Date:R

Cert By: _____

Date: _____

Assy. No.	
Customer	
PO #	Date / /
Model	
Hose	
Pressure	
Inserts	
Speed	
HP	
Motor Encl.	
Specials	
Accessories	